

KB6200EV 6V 200Ah



The Electric Vehicle batteries were developed based on a specialized grid as well as active material. These batteries have anchored plates and a high impact reinforced polypropylene case which can withstand the most extreme environments and vibrations. The KB EV series is constituted of batteries of several different sizes so that they may be used for many different applications. The KB EV series uses dry cell technology that allows for a superior performance and an unparalleled quality and reliability. Through the use of the dry cell technology this series was designed for sensitive environments that require improved life cycles for commercial, industrial, residential and private applications. Without any need for maintenance and with an advanced construction the EV series is an excellent option for many applications.

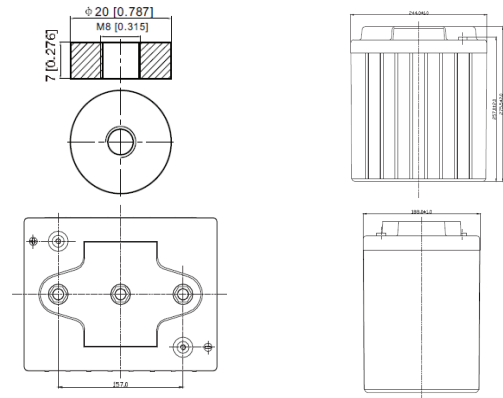
Performance Characteristics

Nominal Voltage	6V	
Dimensions	Length (mm / inch)	244 / 9.6
	Width (mm / inch)	188 / 7.4
	Height (mm / inch)	275 / 10.8
	Total Height (mm / inch)	275 / 10.8
Approx. Weight	(Kg / lbs) 30.0 / 66.1	
Design Life	8 years	
Terminal	M8	
Container Material	ABS	
Rated Capacity	220 Ah / 2.20 A	(100hr, 1.75V / cell, 20°C / 77°F)
	190 Ah / 19.0 A	(10hr, 1.75V / cell, 20°C / 77°F)
	121 Ah / 121 A	(1hr, 1.65V / cell, 20°C / 77°F)
	63.33 Ah / 380 A	(10min, 1.65V / cell, 20°C / 77°F)
Internal Resistance	Approx 1.5mΩ	
Operating Temp. Range	Discharge : -20 ~ 60°C (-4 ~ 140°F)	
	Charge : -10 ~ 60°C (14 ~ 140°F)	
	Storage : -20 ~ 60°C (-4 ~ 140°F)	
Nominal Operating Temp. Range	25 ± 3°C (77 ± 5°F)	
Cycle Use	Initial Charging Current less than 40A	
	Voltage: 7.20V ~ 7.35V at 20°C (68°F)	
	Temp. Coefficient: -15mV/°C	
Standby Use	Initial Charging Current less than 405A	
	Voltage: 6.80V ~ 6.90V at 20°C (68°F)	
	Temp. Coefficient: -10mV/°C	
Capacity affected by Temperature	40°C (104°F)	103%
	25°C (77°F)	100%
	0°C (32°F)	86%
Self Discharge	Fully charged Kaise Electric Vehicle batteries may be stored for up to 6 months at 25°C (77°F) and then a freshening charge is required. For higher temperatures the time interval will be shorter.	

Constant Current Discharge (Amperes) at 77°F (20°C)

Volts/cell	10min	15min	30min	45min	1h	5h	10h	100h
1.80V	300	290	181	137	118	34.2	18.8	2.19
1.75V	335	305	184	142	119	34.8	19.0	2.20
1.70V	367	310	186	145	120	35.3	19.2	2.22
1.65V	380	317	187	147	121	36.0	19.3	2.24
1.60V	396	321	191	149	122	36.5	19.4	2.25

Dimensions and Terminal (Unit: mm (inches))



Certifications

ISO 9001:2008 ISO 14001:2008



Discharge Current vs. Discharge Voltage

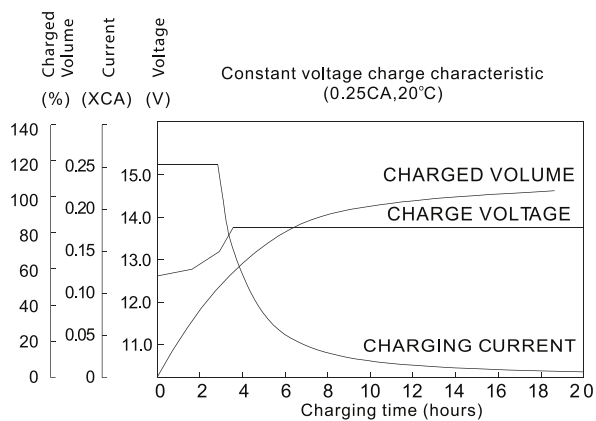
Final discharge voltage V/CELL	1.8	1.75	1.7	1.6
Discharge current (A)	I ≤ 0.1CA	0.25CA ≥ I > 0.1CA	0.55CA ≥ I > 0.25CA	I > 0.55CA

Constant Power Discharge (Watts per cell) at 77°F (20°C)

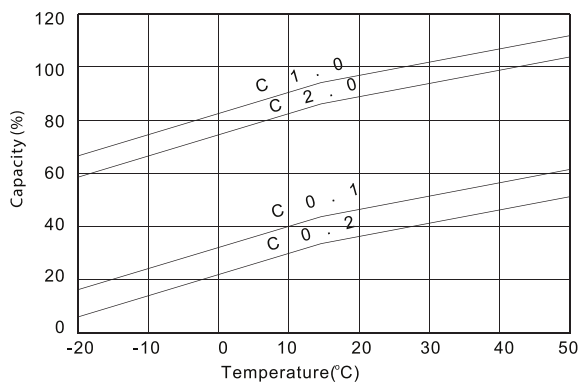
Volts/cell	10min	15min	30min	45min	1h	5h	10h	20h
1.80V	600	525	326	256	223	65.8	34.2	18.0
1.75V	670	544	334	259	229	66.6	34.6	18.2
1.70V	728	571	341	261	231	67.3	34.9	18.4
1.65V	760	590	348	264	233	67.8	35.1	18.6
1.60V	794	604	357	267	235	68.1	35.3	18.7

(Note) The above characteristics data are average values obtained within three charge/discharge cycles not the minimum values.

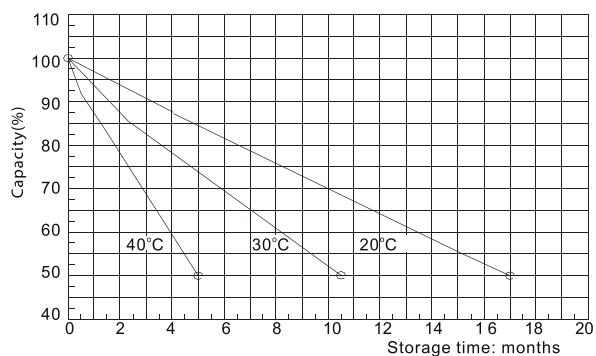
Charging Characteristic (cycle use)



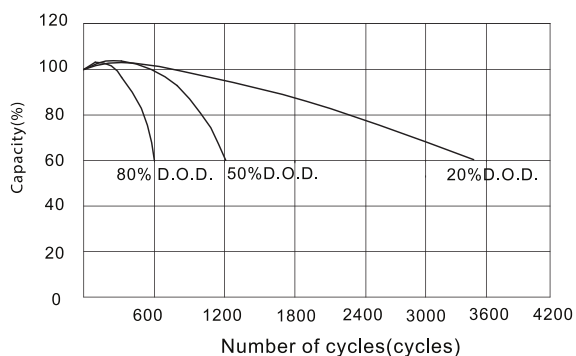
Temperature Effects in Relation to Battery Capacity



Self Discharge Characteristics



Cycle Service Life



IMPORTANT NOTE: The specifications presented herein are subject to revision without notice.

